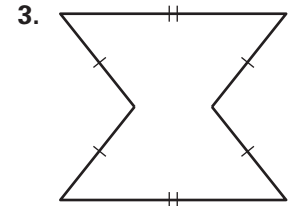
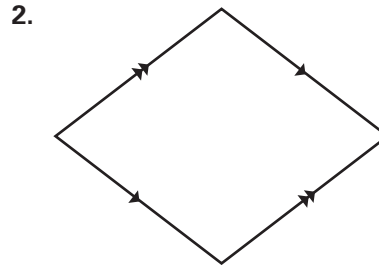
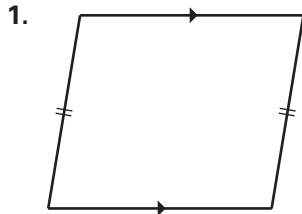


Practice B

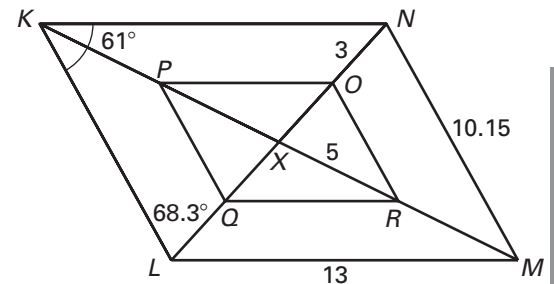
For use with pages 330–337

Decide whether the figure is a parallelogram. If it is not, explain why not.

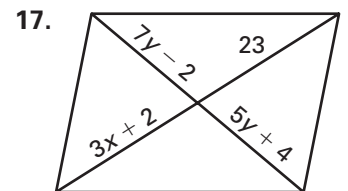
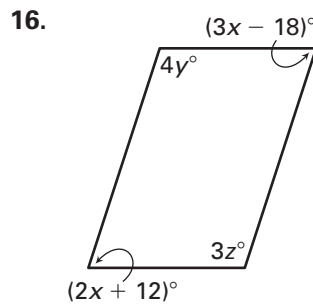
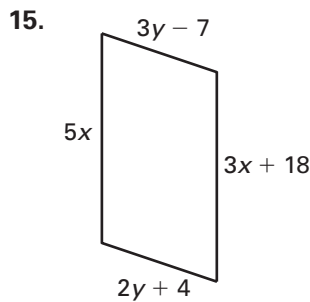


Use the diagram of parallelogram $KLMN$ at the right. Points O, P, Q, R are midpoints of $\overline{KN}, \overline{KL}, \overline{XL},$ and \overline{XM} . Find the indicated measures.

- 4. KN
- 5. KL
- 6. XN
- 7. LN
- 8. KP
- 9. KR
- 10. $m\angle MNL$
- 11. $m\angle NLM$
- 12. $m\angle NML$
- 13. $m\angle XQP$
- 14. Perimeter of parallelogram $KLMN$

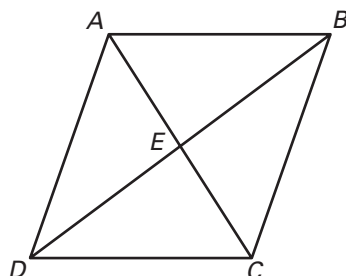


Find the value of each variable in the parallelogram.



Write a two-column or a paragraph proof.

18. Given: $\square ABCD$
 Prove: $\triangle AED \cong \triangle CEB$



19. Given: $\square WXYZ$
 $\overline{ZM} \perp \overline{WX}, \overline{XN} \perp \overline{ZY}$
 Prove: $\triangle ZMW \cong \triangle XNY$

